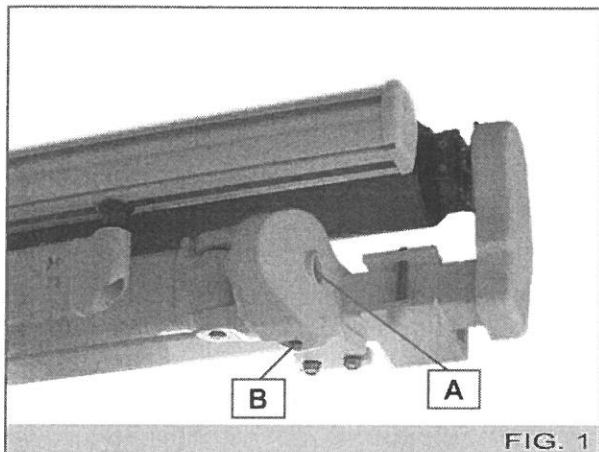
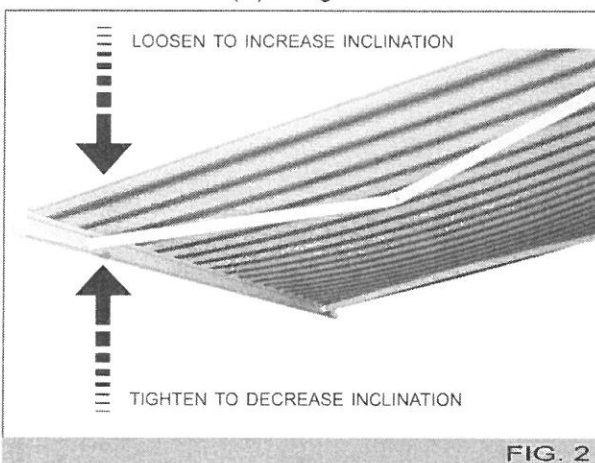


### 4.3.1 - Adjustment of Awning 2010 Inclination

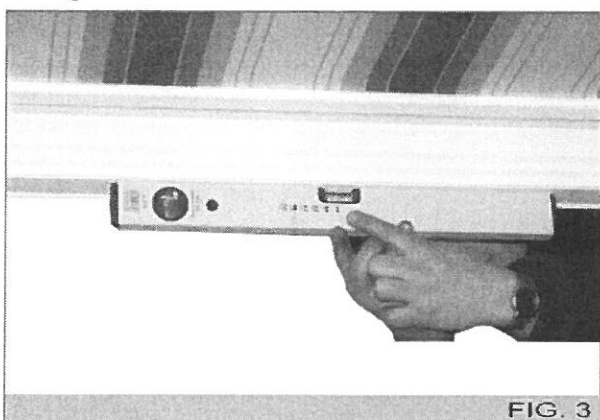


1 Loosen the screw (A) using a 10 mm Allen wrench.



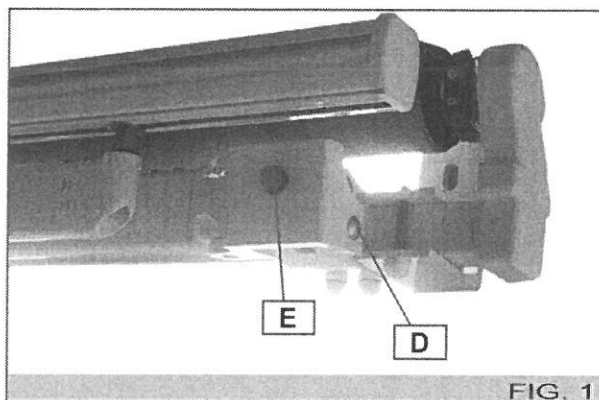
2° Using an 8 mm Allen wrench, adjust the screw (B) Fig. 1 to raise or lower the awning.

3° Repeat the same steps on the other end of the awning.



6° Using a level, check that the terminal is horizontal. If not, adjust the support screw for the arm that is not level using the procedure indicated above.

### 4.3.1 - Adjustment of Awning 2020 Inclination



1° Loosen the screw (D) using a 6 mm Allen wrench.

2. Adjust the screw (E) to raise or lower the awning (see Fig. 2 Chap. 4.3.1).

3. After reaching the desired inclination, fasten the screw (D).

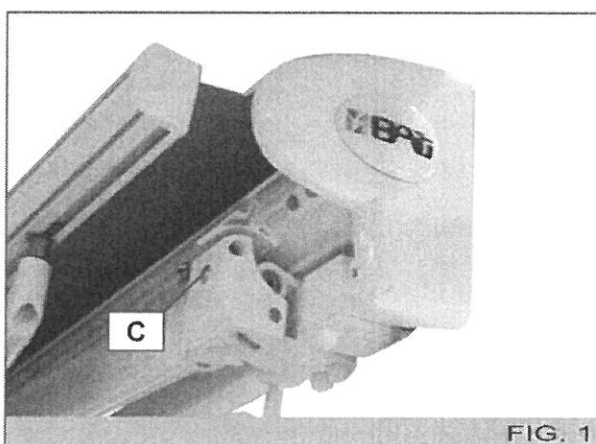
4° Repeat the same steps on the other end of the awning.

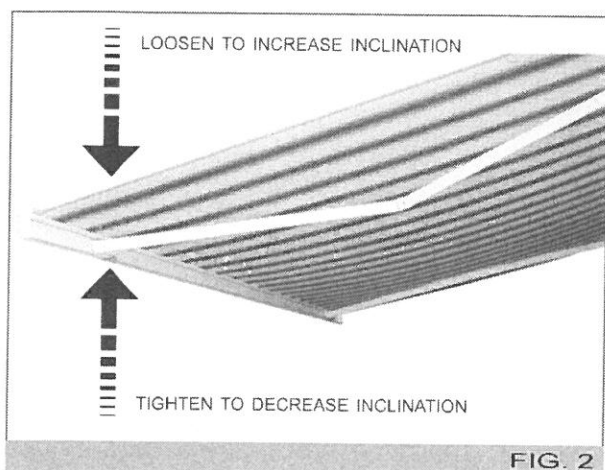
5° Adjust the position of the awning (see point 6 Fig. 4).

### 4.3.1 - Adjustment of Awning 2030-2040 Inclination

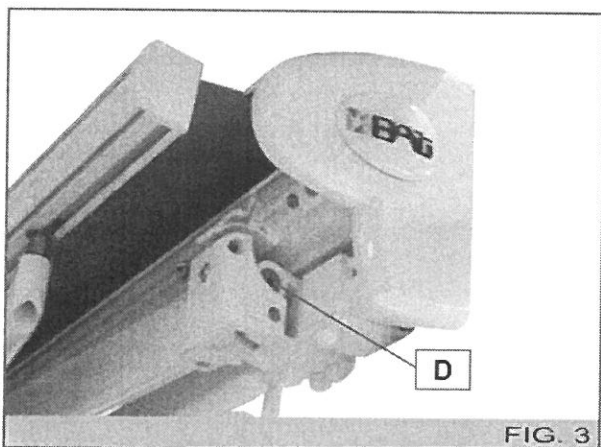
#### **i** INFORMATION AND PRECAUTIONS

Following is the procedure for adjusting awning 2030. To adjust awnings 2040, follow the same instructions.

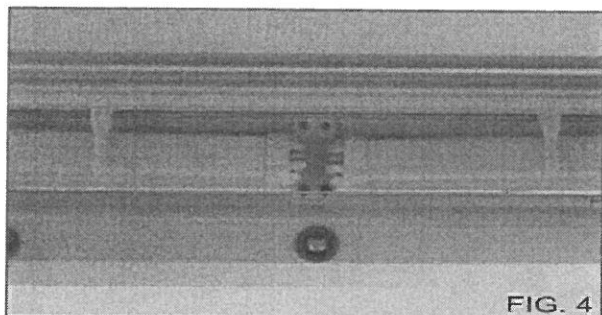




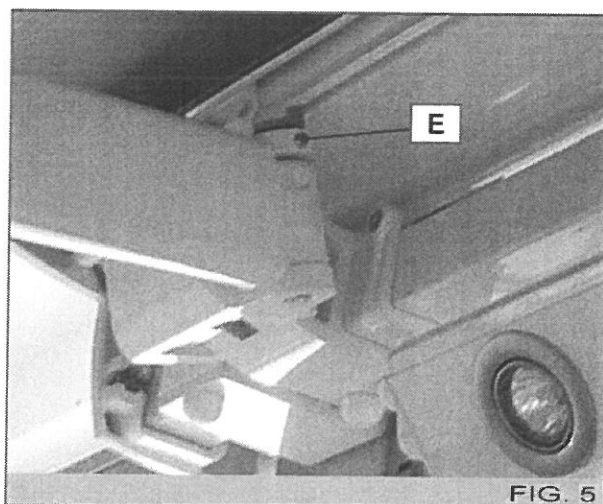
- 1° With the awning open, adjust the screw (C) Fig. 1 using a 6 mm Allen wrench until the desired inclination is reached (see Fig. 2).
- 2° Repeat the same steps on the other end of the awning.
- 3° Adjust the position of the awning (see point 6 Fig. 4, page 27).



- 4° Once you reach the desired inclination, fasten the awning in position by tightening the screw (D) using a 3 mm Allen wrench.



- 5° Check that the elbows of the extensible arms are parallel.



- 1° Tighten the grub screw (E) to raise the elbow of the arm, and unscrew it to lower.

## 5 INSTALLATION OF MOTORIZED AWNING

### ⚠ CAUTION

IT IS PROHIBITED to install the motorized product in an explosive atmosphere.

### ⚠ CAUTION

Use a locking switch (with key) if the awning is installed in sensitive locations such as schools, boarding schools, hospitals, retirement homes, etc. If the awning is equipped with a radio remote control, keep it out of the reach of children.

### ⚠ CAUTION

If there is an opening/closing switch, it must be located in a protected position at a height of at least 1500 mm above ground level and in a safe place.

### ⚠ CAUTION

The awning must be installed at a minimum height of 2500 mm. If this is not possible, for awnings equipped with automations it is obligatory to install an acoustic warning device.